

KKA COLOR

SELF-DRILLING SCREW FOR ALUMINIUM

ALUMINIUM

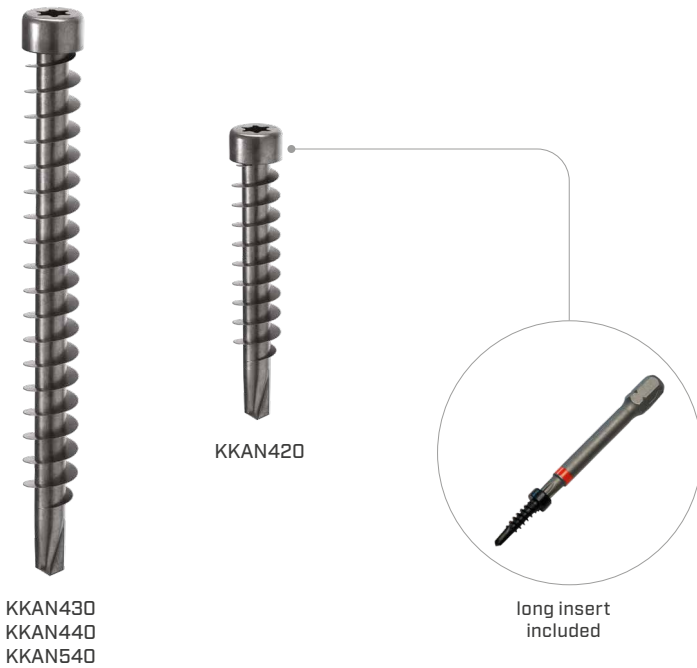
Self-perforating tip with special bleeder geometry. Ideal for fastening clips to aluminium substructures.

ORGANIC COLORED COATING

Black color anti-rust coating for outdoor use in exposure condition 1 on non-acidic woods (T3). Concealed effect on dark substructures and clips.

METAL-TO-ALUMINIUM

Short version ideal for fastening clips, plates and angle brackets to steel or aluminium substructures. Can be used to fix metal-metal overlaps.



DIAMETER [in]

0.14 **0.16 0.20** 0.32

LENGTH [in]

13/16 **13/16 19/16** 12 5/8

EXPOSURE CONDITION

EC1

ATMOSPHERIC CORROSIVITY

C1 C2 C3

WOOD CORROSIVITY

T1 T2 T3 T4

MATERIAL


ORGANIC COATING carbon steel with colored organic anti-rust coating



FIELDS OF USE

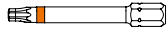
Outdoor use.
Aluminium thickness < 1/8" (without pre-drill).

CODES AND DIMENSIONS

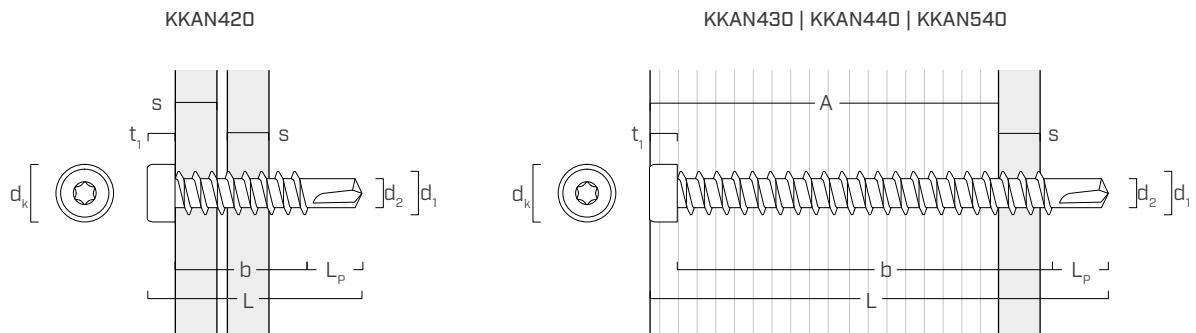


d_1 [mm] [in]	CODE	L [mm] [in]	b [in]	A [in]	s [in]	pcs
4	KKAN420	20	13/16	-	1/16 - 1/8	200
0.16 #7	KKAN430	30	1 3/16	7/8	1/16 - 1/8	200
TX 20	KKAN440	40	1 9/16	1 1/4	1/16 - 1/8	200
5 0.20 #11 TX 20	KKAN540	40	1 9/16	1 1/8	1/16 - 1/8	200

s thickness that can be drilled, steel plate S235/St37
s thickness that can be drilled, aluminium plate

 LONG BIT INCLUDED code TX2050

GEOMETRY



Nominal diameter	d_1	[in] ⁽¹⁾	0.16	0.20
Outer thread diameter	d_1	[mm]	4	5
Head diameter	d_k	[in]	0.248	0.268
Root diameter	d_2	[in]	0.110	0.138
Head thickness	t_1	[in]	0.122	0.132
Tip Length	L_p	[in]	0.217	0.256

⁽¹⁾The nominal diameter of the screw is converted into imperial units and rounded up to the nearest decimal point.



TVM COLOR

Ideal for fastening standard Rothoblaas clips (TVMN) on aluminium. Long bit included in each package.